

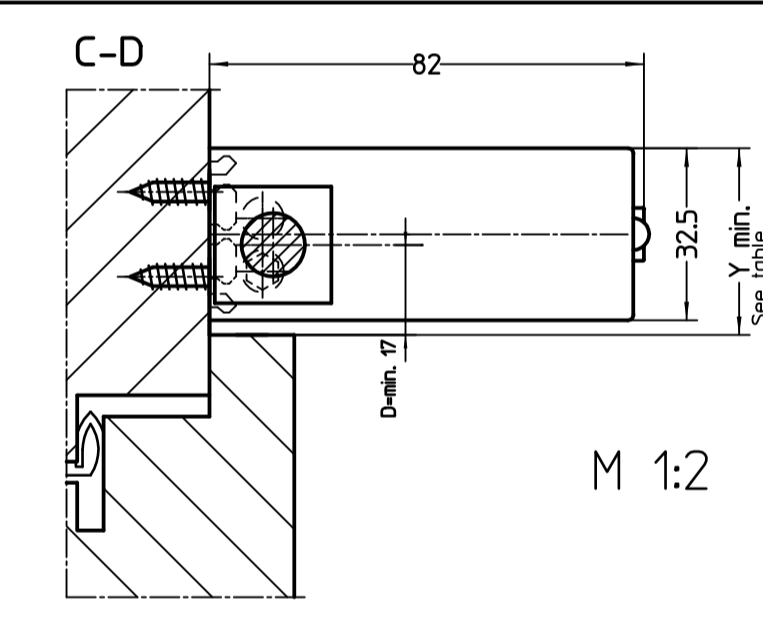
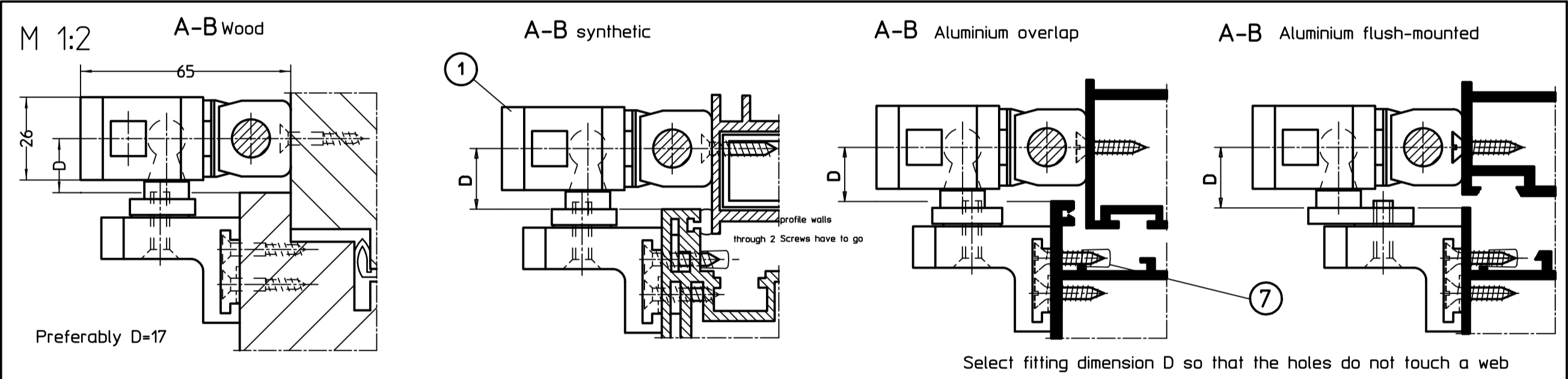
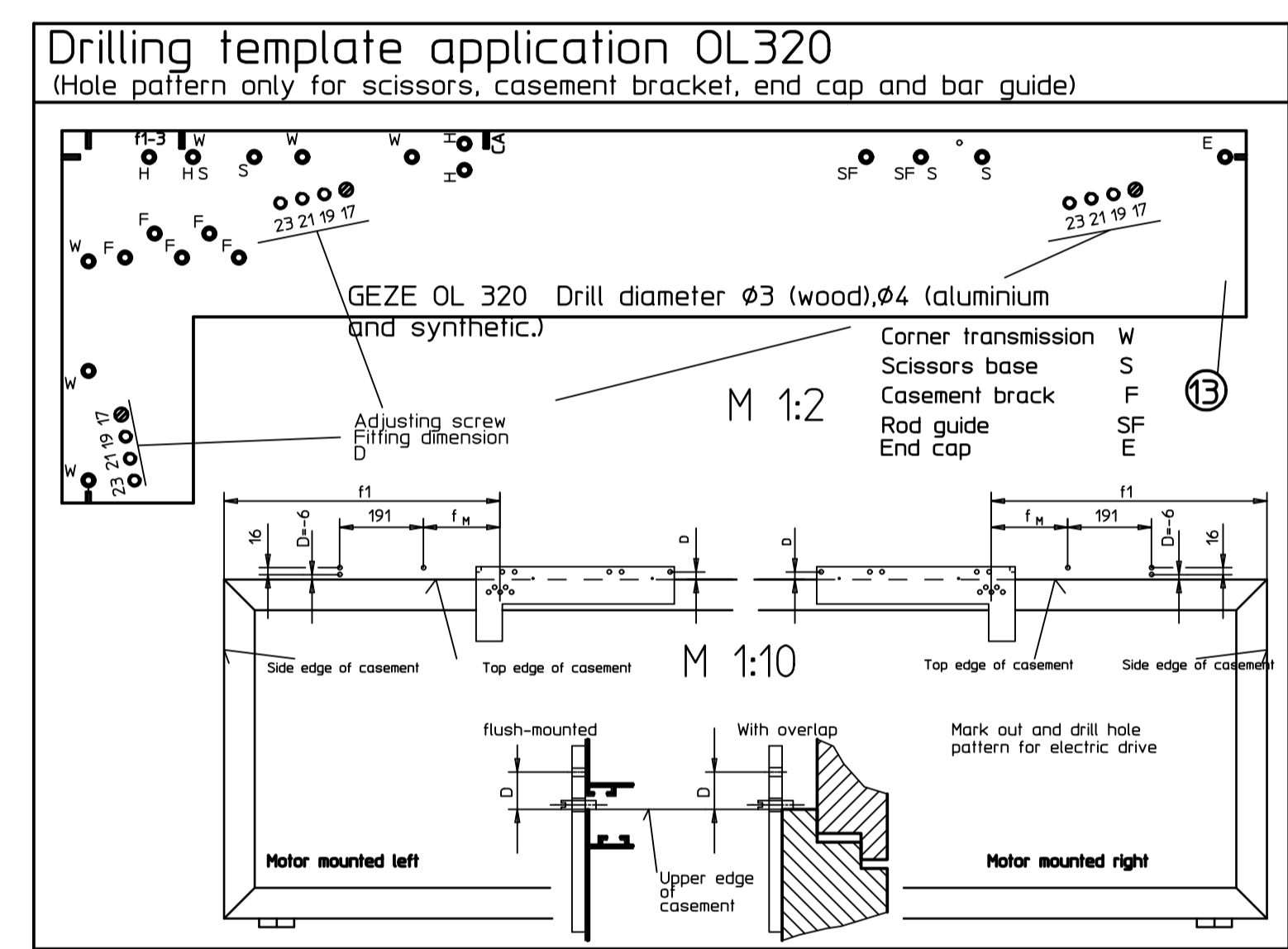
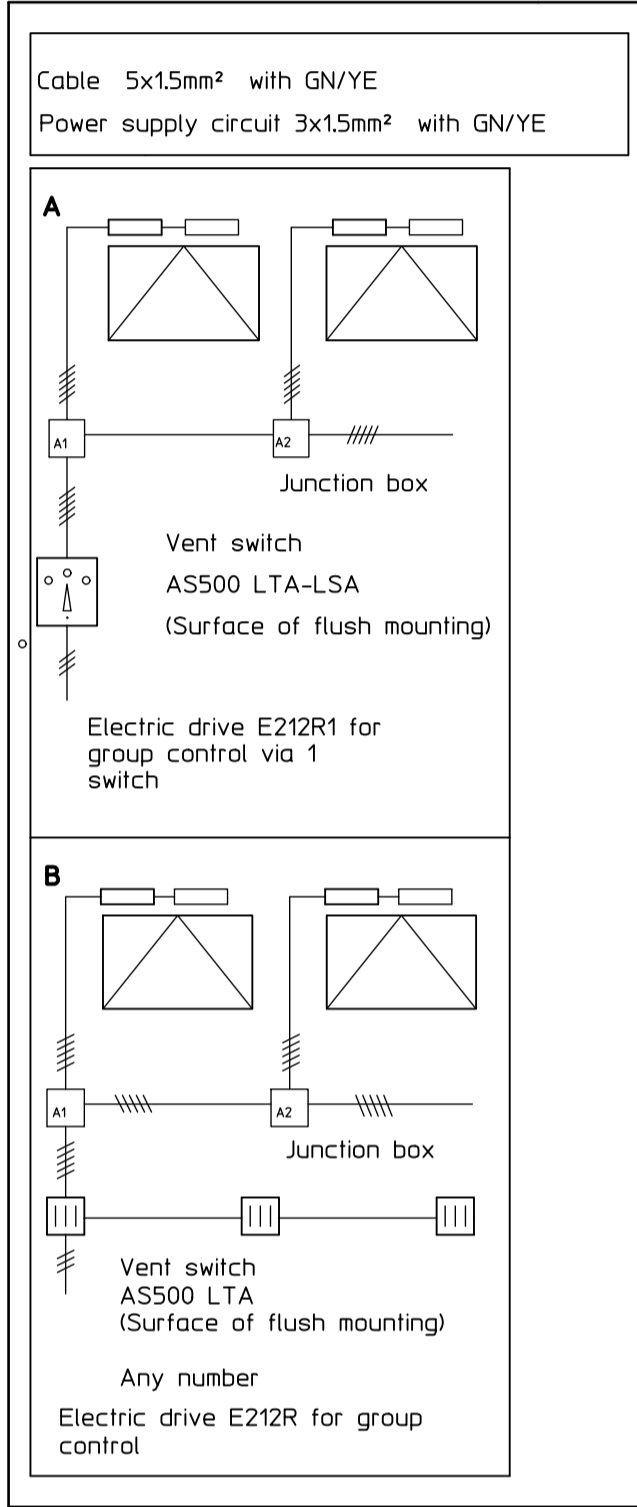
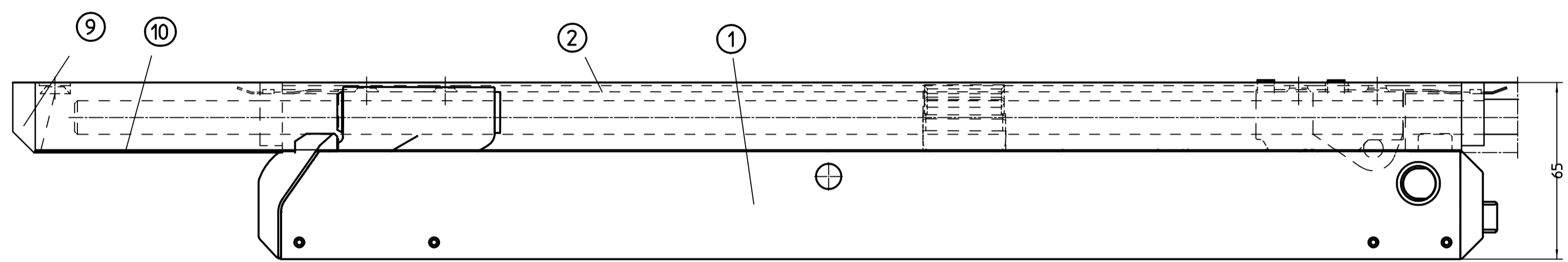
With the full opening width of 320mm, the scissors is clamped to the rod in the open position with an Allen key SW4. If the opening width is limited, the motor stroke and dimension "F" must be aligned.

Opening width	220mm	280mm
Motor stroke	42mm	54mm
Dimension F	98mm	86mm

Mounting elements

Window type	Fixing screws	Drill Ø
Wood	Countersunk wood screws 5x35 DN97 or DN7997	3mm
Aluminium	Countersunk self-tapping screws 4.8x22 DN7972 or DN7982 ↳Screw must go through min. 2mm profile wall.	4mm
synthetic	Countersunk self-tapping screws 4.8x22 DN 7972 or DN 7982 ↳Screw must pass through min. 2 profile walls.	4mm

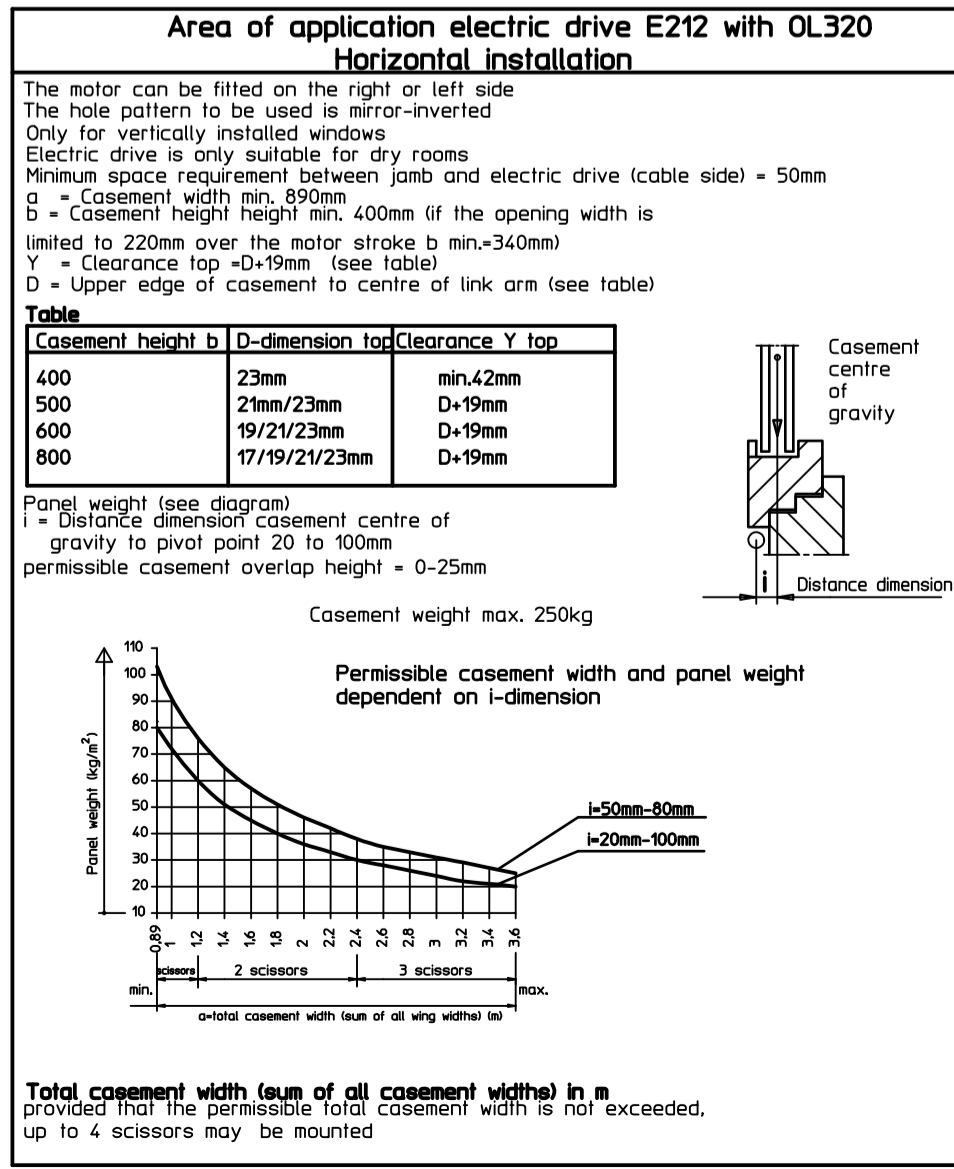
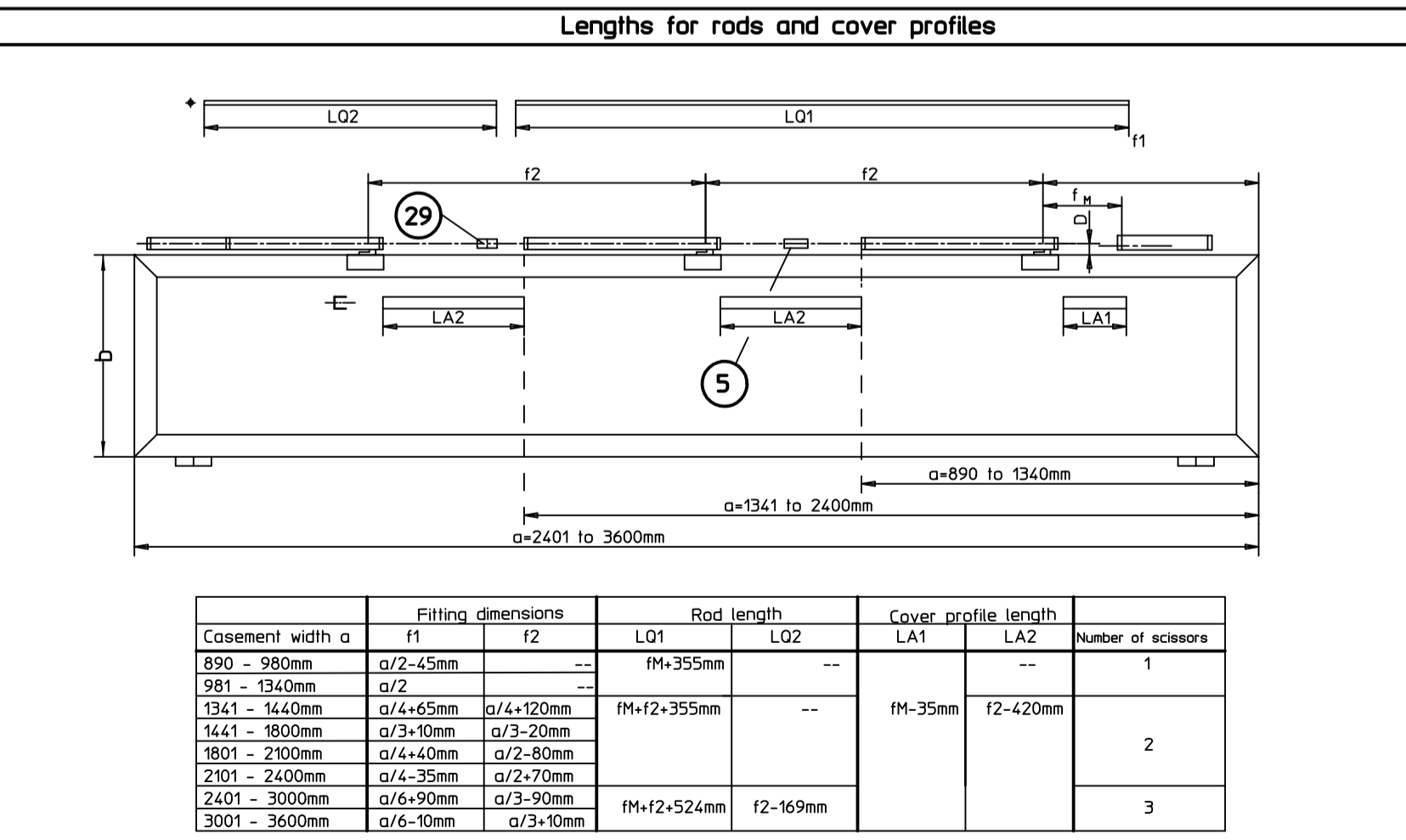
Fixing screws are not included in the delivery.



Technical data

Opening width = 320 mm
 Fitting stroke = 70 mm
 Opening time approx. 43 sec.
 motor stroke = 42-70 mm
 Delivery condition 54 mm
 (Stroke must be adjusted to 70 mm for the max. opening width of 320 mm)

Wiring diagram:
 for group control 45109-9-0950 E212R
 for group control 45109-9-0959 E212R1



Important information:

- Installation drawing, wiring diagram, installation instructions, maintenance and operating instructions as well as the guidelines for power-operated windows, doors and gates (BGR 232) must be observed.
- The specified area of application must be observed.
- The prescribed mounting elements must be used.
- The prescribed fitting dimensions must be observed.
- In order to avoid injuries, protective caps must be turned on projecting threads of the fixing screws.
- Fixings are drawn in the closed position, but assembly is carried out in the open position.
- All fixing screws must be tightened in the open position with an Allen key SW4 with 8Nm.
- After assembly and before commissioning, the function of tightening all fixing screws must be checked, and all fixing screws must be tightened again.
- The joints and sliding points must be greased with an acid-free grease in accordance with DIN 18357.
- The free accessibility of the fitting parts for greasing and maintenance must be ensured in accordance with DIN 18357.
- If rods and cover profiles from other manufacturers are used, GEZE assumes no warranty and no liability for the resulting damage and consequential damage.
- From a free rod length of 800mm, rod guides must be used.
- The use of a suitable safety catch is prescribed for bottom-hung windows (see GEZE gripping and cleaning scissors).
- The drive is delivered in open position.

Name	EVE 1	white 9016	RAL	Ident. no. for version	Ident. no. for version	Ident. no. for version	Ident. no. for version
Electric drive E212R1 for group control (flush mounting)	020835	020839	020838	3			
Vent switch AS500 LTA-LSA (flush mounting)		118476					
Electric drive E212R for group control (flush mounting)	005428	015435	006683	3			
Vent switch AS500 LTA (flush mounting)		118474					
Rod coupling E212		008800					
Scissors OL 320	128211	128212	128213	4			
Scissors base							
Casement bracket, sliding							
Screw plate short							
Rod guide							
Protective caps							
Additional package end cover	058633	018254	013816	1			
End cap							
Profile for end cover							
Rod Ø12 - 2000 mm	053198						
- 3000 mm	053199						
- 6000 mm	054116						
Cover profile - 2000 mm	058771	018293	014258				
- 3000 mm	058774	018294	014259				
- 6000 mm	058630	018251					
Cover profile mitre cut on both sides							
Accessories (must be ordered separately)							
Rod guide	058653			2			
Rod coupling	059729			2			
Drilling template for plastic and aluminium	137150						
	137152						

Abbreviation Explanation

Lx	Length of cover profile
L0	Length cross rod
L02/3	Fitting dimension for scissors
f	Fitting dimension for electric drive