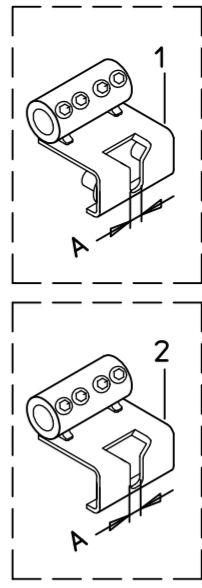
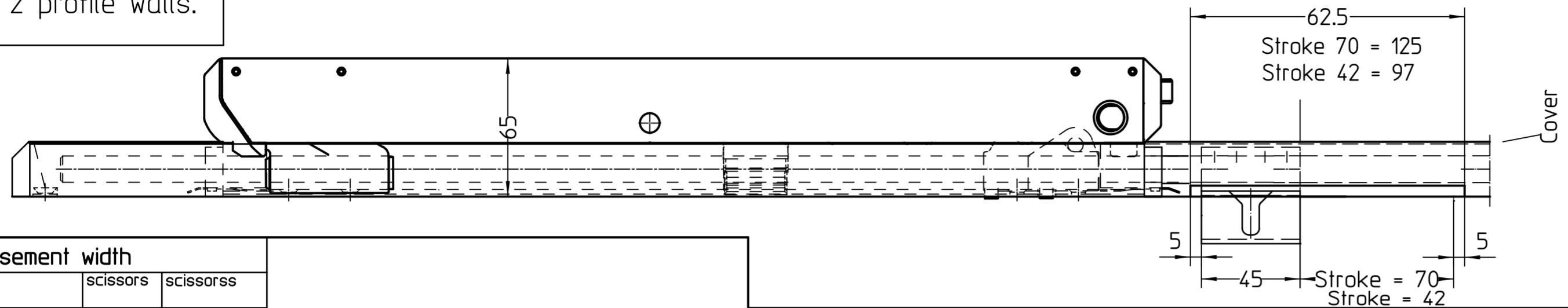


Fixing screws must go through 2 profile walls.

In this area, keep seal and cover free.



BOM VV		GEZE no.	
Pos.	Pc.	Designation	galvanised
1	1	Coupling OL 320 VV1 A=8.5	24954
With bolts			
1	1	Coupling OL 320 VV2 A=11.5	29717
With bolts			
2	1	Coupling OL 320 VV1 A=8.5 f.wood/PVC windows	29855
2	1	Coupling OL 320 VV2 A=11.5 f.wood/PVC windows	29856
2	1	Coupling OL 320 VV3 A=15.5 f.wood/PVC windows	30295

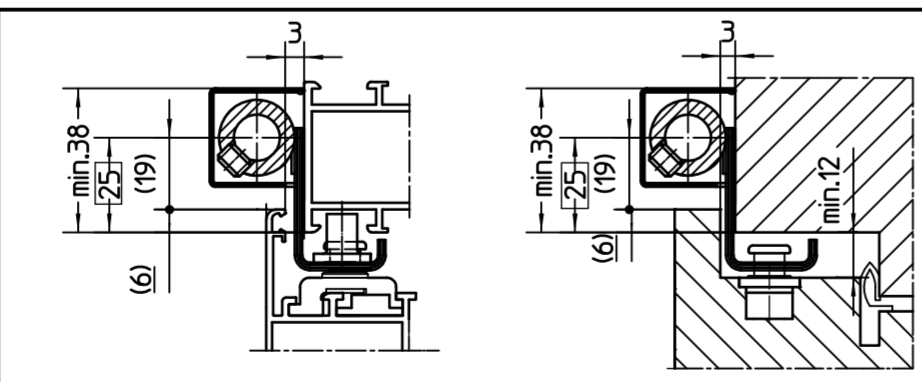
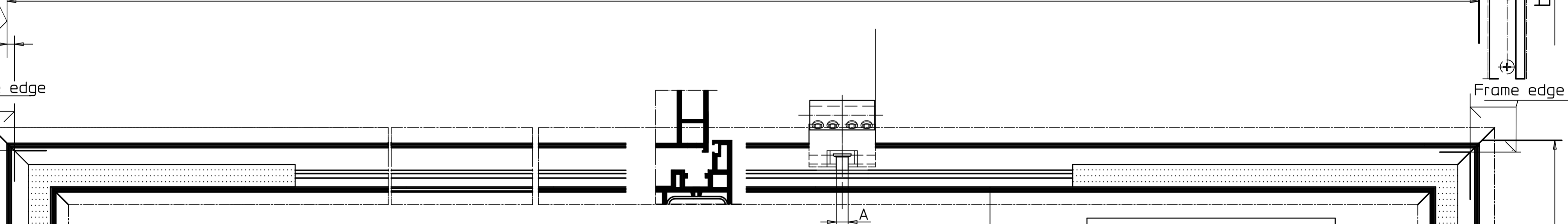
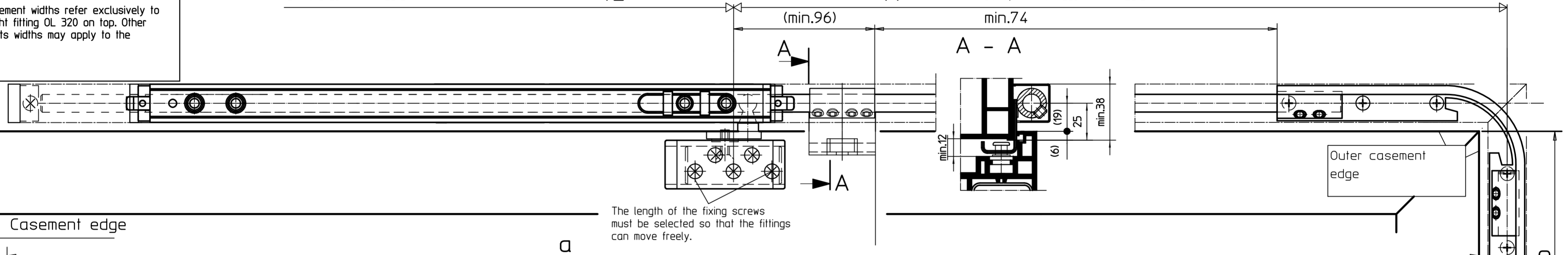
Minimum casement width		
	scissors	scissors
Hand lever / gear	810	1300
E212	940	1420

Attention:  
The minimum casement widths refer exclusively to the overhead light fitting OL 320 on top. Other minimum casements widths may apply to the central locks.

f2 = a/2-166mm for OL320 with hand lever or gear  
f2 = a/2-231mm with E212

f1 min. = 325mm for OL 320 with hand lever for gear  
f1 min. = 450mm; fm min. = 225mm with E212

OL 320	EV1	white 9016	RAL
OL 320 scissors	128211	128212	128213
End cover	058633	018254	013816
Corner gear Fz 100	018194		



**Important information**  
Only for vertically installed rectangular windows. Top horizontal installation for bottom-hung windows. The distance dimension 25 must be observed. The lock must be installed with at least 1 corner transmission of the central lock. Space requirement and stroke must be taken into consideration. With a wooden window, the overlap has to be left clear.

**Technical data**

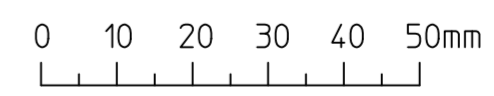
Opening width approx. 320mm; fitting stroke 70mm  
Opening width approx. 220mm; fitting stroke 42mm  
Casement height min. 500mm

Space for the installation of couplings, locks and casement corner transmissions must be taken into account.  
Assignment "Coupling - Central locking system".  
See drawing 40418-9-0953

Missing data see installation drawing:  
OL 320 with hand lever without gear Fz100, Fz101 40424-EP-001  
OL 320 with electric drive E212 Horizontal mounting 40424-EP-030

Grease moving fittings and transome bars with acid-free grease.

Fitting Derivation right in closed position drawn Derivation left mirror-inverted



Diese Zeichnung entspricht dem Entwicklungsstand des Zeichnungsdatums bzw. der letzten Änderungsveränderung. Aus der Benutzung der Zeichnung können keine Ansprüche, gleich welcher Art, einschließlich Schadensersatzansprüche, gegenüber GEZE geltend gemacht werden. Die Zeichnung bleibt unser Eigentum und ist Dritten nur für die Vertragsdauer zur Benutzung überlassen. Sämtliche aus der Zeichnung erspringenden Ansprüche stehen ausschließlich GEZE zu. Ohne vorherige Zustimmung von GEZE darf diese Zeichnung weder ververvielfältigt noch Dritten zugänglich gemacht werden. This drawing shows the actual state of product development at the date of the drawing or the revision date. No claims for damages in any form can be made against GEZE as a result of the interpretation of the drawing. The drawing remains the property of GEZE and is made available to third parties only for the duration of contractual obligations. All rights connected with the drawing remain in possession of GEZE. This drawing may not be copied or handed over to third parties without the express consent of GEZE.

Papierausdrucke dieser Zeichnung unterliegen nicht dem Änderungsdienst! Printed drawings are not revision controlled! EMPB = Erstmusterprüfbericht /initial sample test report

		GEZE GmbH P.O. Box 13 63 71226 Leonberg Germany		Benennung / designation <b>OL 320 with coupling</b> for concealed locking mechanism	
vertraulich / confidential		Datum/date 11.05.20	Name u1270	Blatt / von sheet / of 1 / 2	Material-Nr. ID-no.
erstellt / drawn 10.08.20	Frg. Prod./Rel. Prod.	Maßstab scale 1:1	Zeichnungs-Nr. / document-no. <b>40424-EP-038</b>		
01 11.05.20 u1270 *	00 10.02.20 u1270 *	Frg. Prod./Rel. Prod.			
EMPB Dok.version Doc.version	Datum date	Name name	Mitteilungs-Nr. Doc. change no.		