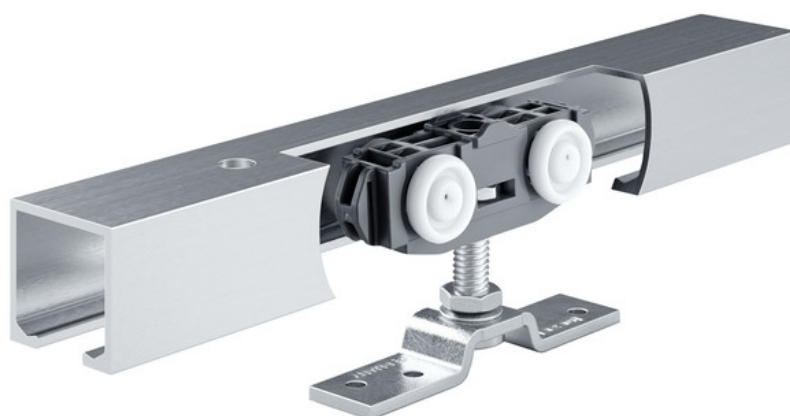


Product data sheet

Rollan 80 NT complete set



Sliding door fitting for timber leaves

AREAS OF APPLICATION

- For timber, plastic, and metal leaves
- For leaf weights up to 80 kg
- For wall installation

Rollan 80 NT complete set



PRODUCT FEATURES

→ Sliding door fitting for timber leaves with up to 80 kg leaf weight

TECHNICAL DATA

Productname	Rollan 80 NT complete set
Leaf material	Wood, Plastic, Metal, Glass
Leaf weight (max.)	80 kg
Leaf weight (max.) with draw-in damper	40 kg
Number of leaves	1-leaf, 2-leaf
Test cycles	50000
Corrosion protection class	1
Type of installation	Wall, Ceiling
Access for all	according to DIN 18040

VARIANTS / ORDER INFO

Designation	Description	Ident-No.	Leaf width (min.)	Leaf width (max.)	Type of installation
GEZE Rollan 80 NT complete set	Set for wall and ceiling installation with timber leaf standard, up to 80 kg leaf weight -ball bearing-	160415	500 mm	1420 mm	Wall, Ceiling
GEZE Rollan 80 NT complete set	Set for wall and ceiling installation with timber leaf standard, up to 80 kg leaf weight -ball bearing-	160411	500 mm	840 mm	Wall, Ceiling
GEZE Rollan 80 NT complete set	Set for wall and ceiling installation with timber leaf standard, up to 80 kg leaf weight -ball bearing-	160413	500 mm	970 mm	Wall, Ceiling
GEZE Rollan 80 NT complete set	Set for wall and ceiling installation with timber leaf standard, up to 80 kg leaf weight -ball bearing-	160412	500 mm	920 mm	Wall, Ceiling
GEZE Rollan 80 NT complete set	Set for wall and ceiling installation with timber leaf standard, up to 80 kg leaf weight -ball bearing-	160414	500 mm	1190 mm	Wall, Ceiling
GEZE Rollan 80 NT complete set	Set for wall and ceiling installation with timber leaf standard, up to 80 kg leaf weight -ball bearing-	160416	500 mm	1640 mm	Wall, Ceiling