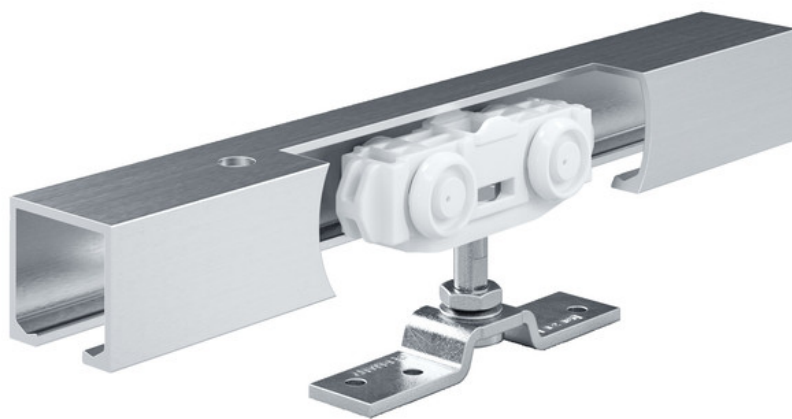


Product data sheet

Rollan 40 NT wood



Sliding door fitting system for timber, plastic, or metal doors
with a leaf weight of 40 kg

AREAS OF APPLICATION

- For lightweight interior sliding doors
- For passage doors or partition walls in living and office areas
- Lower space requirements for the door fitting means simple installation even in tight areas
- Single and multiple-leaf sliding doors
- Installation on the ceiling or wall

PRODUCT FEATURES

- Sliding door fitting for leaf weight up to 40 kg
- Especially suited for wooden, plastic or metal leaf materials
- Uniform track for Rollan 40 and 80 allows for easy adjustment to changing applications
- Smooth-running roller carriages that can be set in motion with little force
- Easy adjustment of the space between the door leaf and track
- Retractable suspension plates allow for the door to be installed with a small clearance between the track and the upper edge of the door
- Tested for durability in accordance with DIN EN 1527 to 50,000 testing cycles
- Closed aluminium track protects against ingress of dust and dirt
- Simple, direct ceiling installation or bracket mounting on ceiling and wall
- Simple adjustment of the space between door leaf and rail / readjustment also possible when installed

TECHNICAL DATA

Productname	Rollan 40 NT wood
Leaf material	Wood
Leaf weight (max.)	40 kg
Number of leaves	1-leaf
Leaf width (min.)	500 mm
Leaf width (max.)	1420 mm
Leaf height (max.)	3500 mm
Leaf thickness from	19 mm
Leaf thickness to	40 mm
Track geometry	straight
EN 1670 Corrosion resistance	1 (acc. to EN 1670: Class 0 = none defined, Class 1 = low, Class 2 medium, Class 3 = high, Class 4 = very high, Class 5 = extraordinary)
EN 1527 Continuous function	25,000 test cycles
Type of installation	Wall, Ceiling
Manual operation	Yes
Colour	Mill finish

PART**ROLLAN 40 NT COMPLETE SET FOR WOODEN DOOR LEAVES**

Sliding door fitting for timber leaves



Designation	Description	Ident-No.	Leaf width (min.)	Leaf width (max.)	Type of installation
GEZE Rollan 40 NT Complete Set	Set for wall and ceiling installation with timber leaf standard, up to 40 kg leaf weight -plain bearing-	160405	500 mm	590 mm	Wall, Ceiling
GEZE Rollan 40 NT Complete Set	Set for wall and ceiling installation with timber leaf standard, up to 40 kg leaf weight -plain bearing-	160407	500 mm	920 mm	Wall, Ceiling
GEZE Rollan 40 NT Complete Set	Set for wall and ceiling installation with timber leaf standard, up to 40 kg leaf weight -plain bearing-	160409	500 mm	1190 mm	Wall, Ceiling
GEZE Rollan 40 NT Complete Set	Set for wall and ceiling installation with timber leaf standard, up to 40 kg leaf weight -plain bearing-	160410	500 mm	1420 mm	Wall, Ceiling
GEZE Rollan 40 NT Complete Set	Set for wall and ceiling installation with timber leaf standard, up to 40 kg leaf weight -plain bearing-	160406	500 mm	840 mm	Wall, Ceiling
GEZE Rollan 40 NT Complete Set	Set for wall and ceiling installation with timber leaf standard, up to 40 kg leaf weight -plain bearing-	160408	500 mm	970 mm	Wall, Ceiling

ACCESSORIES**DOOR STOP**

End stop for sliding leaves



Designation	Ident-No.
Door stop	000339
Door stop	000342

FLUSH PULL, 15-80 MM WOOD *

Flush pull for timber leaf



Designation	Description	Ident-No.	Colour
Flush pull, 15-80 mm wood *	Outer diameter 60 mm, specify leaf thickness when ordering	127614	Stainless steel

CLIP-ON COVER SET 100 SPACER BRACKET

Spacer bracket for clip-on cover 100



Designation	Description	Ident-No.
Clip-on cover set 100 spacer bracket	6 pieces, increase lateral distance of clip-on cover by 7.5 mm each, incl. 6 screws 4.5 x 10 mm T20. For use with Perlan AUT-NT as well as for leaf thicknesses from 30 mm	137754

CLIP-ON COVER SET 100 PLASTIC CLIP

Plastic clip for spacer bracket for clip-on cover 100



Designation	Description	Ident-No.
Clip-on cover set 100 plastic clip	10 pieces, for the direct attachment of the clip-on cover 100 on the track or the spacer brackets	137863

HEIGHT COMPENSATION MECHANISM / CEILING DISTANCE SET, WITH VARIABLE ADJUSTMENT

Height compensation with variable adjustment for ceiling installation of tracks



Designation	Description	Ident-No.
Height compensation mechanism / ceiling distance set, with variable adjustment	6 pieces, height compensation mechanism with variable adjustment from 13 mm to 18 mm. For use for ceiling mounting using clip-on cover 100/145 as well as for general use on uneven ceilings	138099

DOOR PULL HANDLE, CONFIGURED *

Push bar – round design for installation on glass leaves



Designation	Ident-No.	Colour
Door pull handle, configured *	127616	Stainless steel

END CAP SET CLIP-ON COVER 100 *

End cap for clip-on cover 100, slim version



Designation	Description	Ident-No.	Colour
End cap set clip-on cover 100 *	2 pieces, narrow version, for use without spacer bracket	137869	according to RAL
End cap set clip-on cover 100 *	2 pieces, narrow version, for use without spacer bracket	137867	Stainless steel optic
End cap set clip-on cover 100 *	2 pieces, narrow version, for use without spacer bracket	137865	EV1

END CAP SET CLIP-ON COVER 100 *

End cap for clip-on cover 100, large version



Designation	Description	Ident-No.	Colour
End cap set clip-on cover 100 *	2 pieces, wide version, for use with spacer bracket	137866	Stainless steel optic
End cap set clip-on cover 100 *	2 pieces, wide version, for use with spacer bracket	137864	EV1
End cap set clip-on cover 100 *	2 pieces, wide version, for use with spacer bracket	137868	according to RAL

* The products designated above may vary in form, type, characteristics, function, or availability depending on the country. Please get in touch with your GEZE contact person if you have any questions.